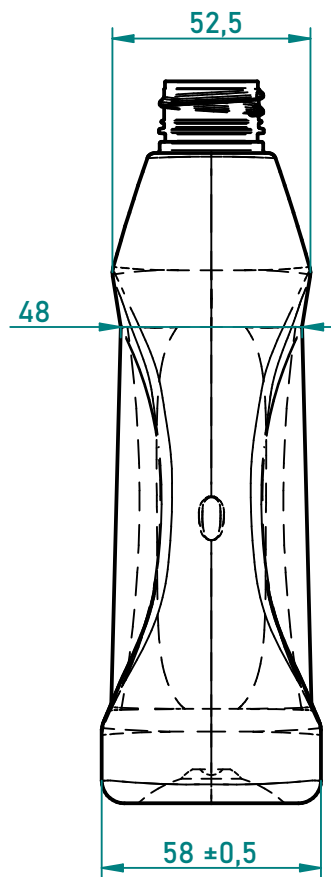


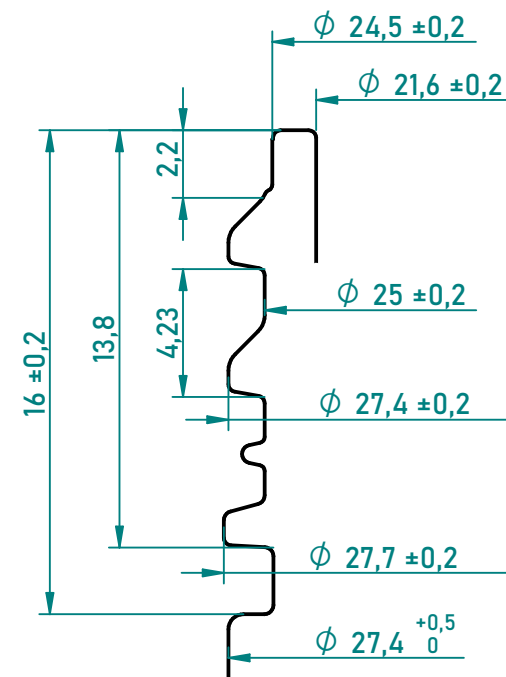
SECTION A-A



**NECK FINISH 28.410**

THREAD PITCH: 4,23mm

THREAD TURNS: 380°



DATE 31-JAN-2020		DRAWING No. 02055003	
TITLE <b>DISH WASH PH 500</b>			
MATERIAL <b>PET</b>	NECK FINISH <b>28.410</b>		
BOTTLE WEIGHT <b>26 ± 1 g</b>	NOMINAL CAPACITY <b>500 ml</b>	OVERFLOW CAPACITY <b>545 ± 5 ml</b>	
UNITS <b>mm</b>	SCALE <b>1 : 2</b>	SHEET SIZE <b>A4</b>	

